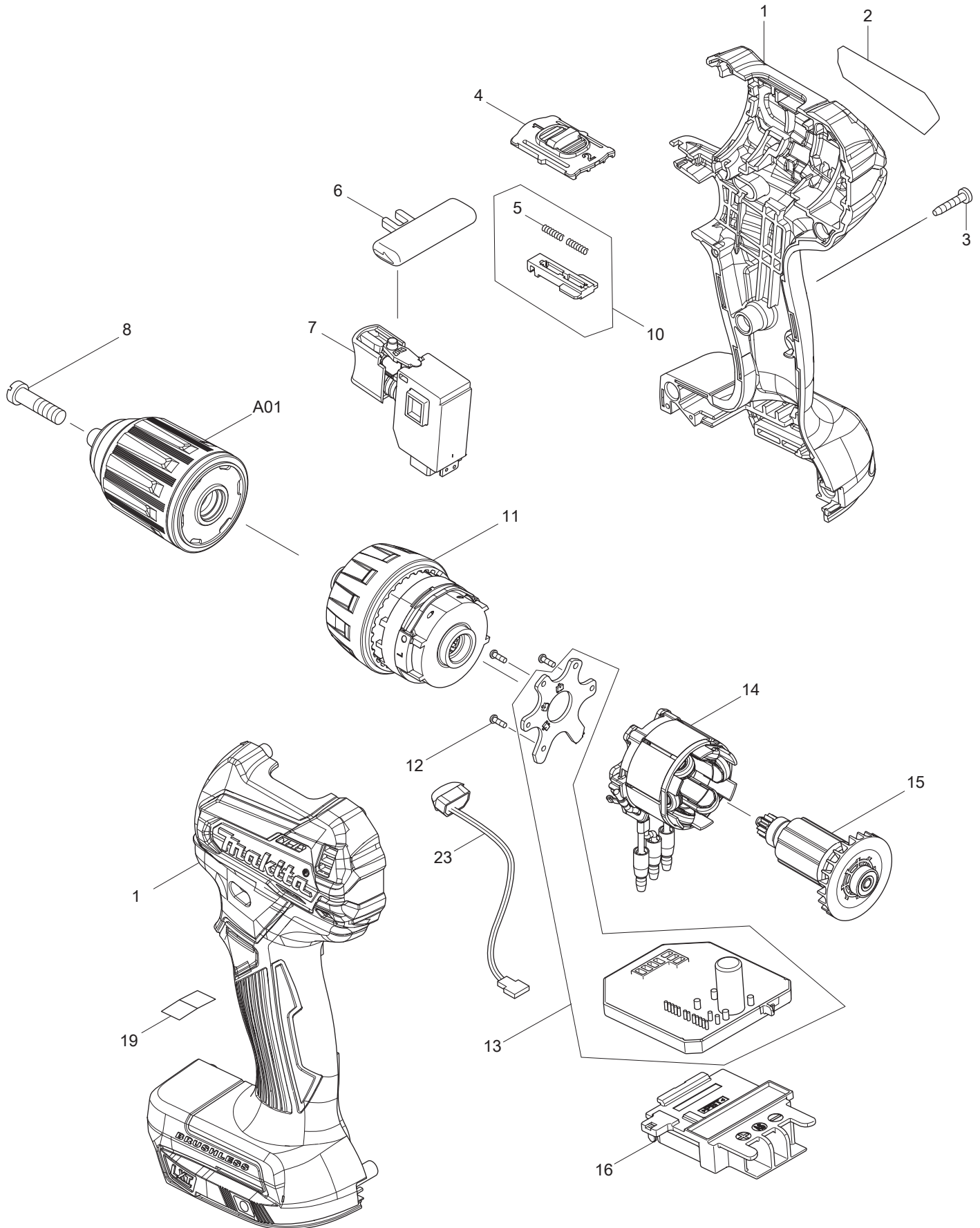




08 - 2016
DDF483Z, DDF483ZB, DDF483RTE, DDF483RTEB
18V LXT Brushless Driver Drill



| Item NType | Part No | Description | Qty | Unit | |
|------------|---------------|-------------------------------------|--------------------|------|-----|
| 001 | 183E18-7 | HOUSING SET, BLUE | 1 | SET | |
| | INC. 263005-3 | RUBBER PIN 6 | 2 | PC. | |
| | INC. 252126-6 | HEX LOCKING NUT M4-7 | 2 | PC. | |
| 1B | 183E64-0 | HOUSING SET, BLACK | 1 | SET | |
| | INC. 263005-3 | RUBBER PIN 6 | 2 | PC. | |
| | INC. 252126-6 | HEX. LOCKING NUT M4-7 | 2 | PC. | |
| 002 | 852L71-3 | NAME PLATE F/DDF483 | 1 | PC. | |
| 003 | 266429-2 | TAPPING SCREW M3X16 | 8 | PC. | |
| 004 | 2 | 458382-8 | SPEED CHANGE LEVER | 1 | PC. |
| 005 | 233025-1 | COMPRESSION SPRING 2 | 2 | PC. | |
| 006 | 419041-9 | CHANGE LEVER FRONT/REAR | 1 | PC. | |
| 007 | 650689-0 | SWITCH C3JW-2B | 1 | PC. | |
| 008 | 251468-5 | - FLAT HEAD SCREW M6X22 | 1 | PC. | |
| 010 | 123587-6 | CHANGE LEVER ASSY | 1 | PC. | |
| | INC. | Item No. 5 | | | |
| 011 | 123868-8 | GEAR ASSEMBLY | 1 | PC. | |
| 012 | 266490-9 | TAPPING SCREW PT M2X6 | 3 | PC. | |
| 013 | 620555-5 | CONTROLLER | 1 | PC. | |
| 014 | 629228-7 | STATOR | 1 | PC. | |
| 015 | 619410-6 | ROTOR | 1 | PC. | |
| 016 | 643874-2 | TERMINAL | 1 | PC. | |
| 019 | 809U04-3 | CAUTION LABEL | 1 | PC. | |
| 023 | 620549-0 | LED CIRCUIT | 1 | PC. | |
| 100 | 251314-2 | +TH SCREW M4X12 F/HOOK & BIT HOLDER | 1 | PC. | |

ACCESSORIES

- See Catalogue or visit www.makita.ca for more accessories -

| | | | | | |
|-----|---|---------------|------------------------------------|---|-----|
| A01 | | 763241-6 | 1/2" KYLS DRILL CHUCK BULK | 1 | PC. |
| A02 | | 346449-3 | HOOK F/14.4V, 18V LI-ION BTRY | 1 | PC. |
| A03 | | 784637-8 | DOUBLE ENDED BIT 2-45 BULK | 1 | PC. |
| A04 | 1 | 821521-7 | PLASTIC CARRYING CASE | 1 | PC. |
| | 1 | INC. 162302-3 | LATCH | 2 | PC. |
| | 1 | INC. 324207-7 | SHAFT | 1 | PC. |
| | 1 | INC. 451749-9 | HANDLE | 1 | PC. |
| | 2 | 141856-3 | PLASTIC CARRYING CASE COMPLETE | 1 | PC. |
| | 2 | INC. 162302-3 | LATCH | 2 | PC. |
| | 2 | INC. 324207-7 | SHAFT | 1 | PC. |
| | 2 | INC. 451749-9 | HANDLE | 1 | PC. |
| A05 | | ----- | 18V LI-ION BATTERY | | |
| A06 | | ----- | BATTERY CHARGER | | |
| A07 | | ----- | LI-ION BATTERY ACCESSORIES | | |
| A08 | | 452947-8 | BIT HOLDER | 1 | PC. |
| A09 | | ----- | SPADE BITS | | |
| A10 | | ----- | SELF FEED DRILL BITS | | |
| A11 | | ----- | FORSTNER BITS | | |
| A12 | | ----- | SPIRAL STEP DRILL BITS | | |
| A13 | | ----- | COUNTERSINK DRILL BITS | | |
| A14 | | ----- | EZYCHANGE BIM HOLE SAWS | | |
| A15 | | ----- | BIM HOLE SAWS | | |
| A16 | | ----- | IMPACT GOLD DRIVER BITS | | |
| A17 | | ----- | OMNIBOHRER CONSTRUCTION DRILL BITS | | |
| A18 | | ----- | HOLLOW SOCKETS | | |
| A19 | | ----- | THREADED ROD SOCKETS | | |
| A20 | | ----- | HEX SHANK SHIP AUGER BITS | | |
| A21 | | ----- | SCREW GUIDE BIT HOLDERS | | |
| A22 | | ----- | 12" FLEXIBLE BIT HOLDER | | |